

SOREDEX

CRANEX[®]
Novus



Fast. Easy. Affordable.
Digital panoramic X-ray unit

CRANEX® Novus – Your choice for easy imaging

The CRANEX® Novus is a fast and easy-to-use digital X-ray system. It is designed for dental offices that demand a first class digital panoramic unit at an affordable price.

With 9 second adult panoramic exposures times, patient exposure dose is minimized, while reducing the potential for movement artifacts. Designed for fast operation and easy workflow, the CRANEX® Novus is designed for maximum efficiency. Clean simple lines and a compact footprint that is easy to fit make the CRANEX® Novus appealing for dental clinics.



Summary of benefits.



FAST AND EASY-TO-USE

- 9 second adult panoramic exposure times
- 4-step operational procedure for optimized workflow
- Easy-to-use control panel simplifies operation
- 5-point patient stabilization system



EXCELLENT IMAGE QUALITY

- Victory Beam Technology™
- Extremely sensitive CCD-sensor
- Advanced spinal compensation



DESIGNED FOR YOUR PRACTICE

- Compact solution
- Clean and simple
- Small footprint

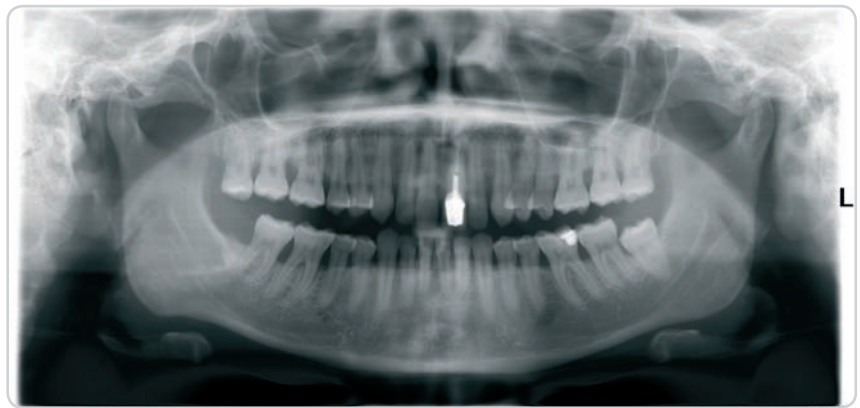


Excellent image quality

The Victory Beam Technology™ of the CRANEX® Novus combines a highly accurate collimator and extremely sensitive CCD sensor with clinically optimized, automatic image processing. The result is unsurpassed high quality images that aid in treatment planning.

Adult panoramic program

The standard program for routine panoramic examinations. The CRANEX® Novus incorporates advanced spinal compensation that allows for the correct display of the dental anatomy while eliminating distracting spinal shadow.



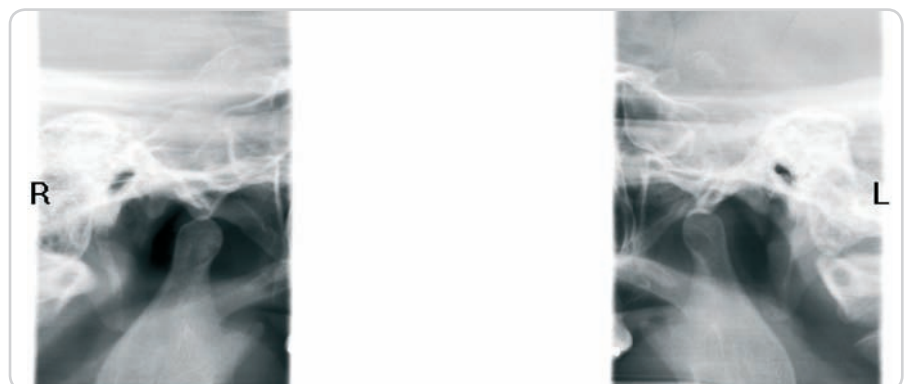
Pediatric program

Designed for children and small adults, exposure times are automatically reduced to allow for reduced patient dose with no affect in image quality.



TMJ program

Allows for open and/or closed evaluation of the TMJ anatomy.



Fast and easy-to-use

The fast exposure times and easy operation of the CRANEX® Novus can dramatically improve the workflow in your practice.

It takes only 9 seconds to take an adult and 8 a child panoramic exposure. Easy and fast 4-step operation allows for instant image evaluation and optimized workflow.



Easy 4-step operation

1. Select the program – 1 touch
2. Position the patient
3. Take the exposure
4. Release the patient

Simplified operation

- Easy display and controls for selecting the imaging program, just 5 keys
- Automatic exposure values based on the selected program



Stable and accurate patient positioning

- 4-point head support with bite block ensures patient stability
- Three laser lights for accurate positioning
- Motorized column for ease of use
- Easily adjustable, self-locking temple supports
- Hinged mirror for easy patient positioning
- Rigid patient handles with integrated chin rest

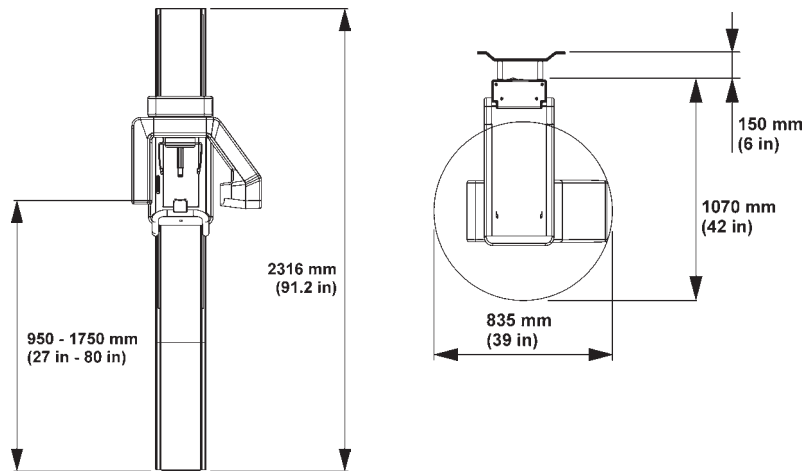


New!
3rd position
light



Compact and contemporary design

Dimensions



Technical Data

Generator	High frequency DC generator
Focal spot size	0.5 mm
Minimum total filtration	2 mm Al
Anode voltage	60/70 kV
Anode current	7 mA
Line voltage	230/240 Vac \pm 10%/115 Vac (50/60 HZ)
Electrical safety classification	IEC 60601-1 class 1/B
Sensor	CCD
Active sensor surface	147.5 x 6.1 mm
Sensor pixel size	48 μ m
Image pixel size	96 μ m
Image resolution	6.25 lp/mm
Image field height	147 mm
File size	max: 9.5 MB
PC connection	LAN/Ethernet
Exposure time	9 s adult, 8 s child panoramic
Weight	100 kg (220 lbs)
Color	RAL 9003, RAL 9006

Workstation PC requirements*

Operating system	Windows® 7, Windows® Vista , Windows® XP Professional
------------------	--

* For full details on supported PC requirements, please contact your local distributor for the latest information.

Software compatibility

DIGORA® for Windows® and CV XV (North American market) offer a comprehensive set of imaging tools to assist you with your daily imaging needs.

Flexible software options include standard single-user and optional network multi-user versions. Optional DICOM services integrate the CRANEX® Novus into a PACS/DICOM environment seamlessly. SOREDEX® TWAIN integrates the CRANEX® Novus with 3rd party software supporting the TWAIN standard. In addition to SOREDEX® software, the CRANEX® Novus is integrated with many practice management and 3rd party imaging software.

The CRANEX® Novus has a simple to use Ethernet connection to a PC or the network. With SOREDEX's 30 years of experience in developing state of the art dental panoramic systems, the CRANEX® Novus provides you with a compact, direct digital panoramic system, as part of the famous CRANEX® family.



DIGITAL IMAGING MADE EASY

**Head Office and Factory:
SOREDEX**

Nahkelantie 160, Tuusula
P.O. Box 148, FI-04301 Tuusula
Finland
Tel. +358 10 270 2000
Fax +358 9 701 5261
info@soredex.com

Subsidiary: SOREDEX USA

1245 W. Canal Street
Milwaukee, WI 53233 U.S.A.
Tel. +1 800 558 6120
Fax +1 414 481 8665
usainfo@soredex.com

Subsidiary: SOREDEX Germany

Schutterstrasse 12
77746 Schutterwald
Germany
Tel: +49 (0) 781 28 41 98 0
Fax: +49 (0) 781 28 41 98 30
kontakt@soredex.de

SOREDEX® designs, develops, manufactures and markets dental imaging systems, with an emphasis on innovative digital solutions. Operating worldwide, SOREDEX® offers quality imaging systems of true diagnostic value, based on an in-depth understanding of the dental practice. Applying three decades of experience of imaging excellence, we offer reliable and easy-to-use solutions that help you focus on patient care.

SOREDEX® digital imaging systems are innovative and accurate diagnostic tools that integrate seamlessly and easily into a dental practice, enhancing the imaging process and improving workflow. Our systems are designed to be simple and easy to use. They will make your dental practice more efficient and ultimately give you more time for your patients.

SOREDEX® stands for innovation and value in dental X-ray technology.

MINRAY®, CRANEX®, DIGORA® and SCANORA® are registered trademarks of SOREDEX, PaloDEX Group Oy. Other product names and trademarks are the property of their respective owners. CE marked (NB 0537). Electric safety according to IEC 60601-1. Manufacturing complies with ISO 13485:2003, ISO 9001:2008 and ISO 14001:2004.

SOREDEX® reserves the right to make changes to specifications and features shown herein at any time without notice or obligation. Contact your SOREDEX® representative for the most current information.

© 2010 SOREDEX®

205568-1 04/10 Printed in Finland



www.soredex.com • www.soredex.de • www.soredexusa.com