

Kodak | Dental Systems

Technical Service Bulletin

Digital Imaging Support Division

Title: Kodak 8000c Space Requirements

Date: 02-Mar-2006

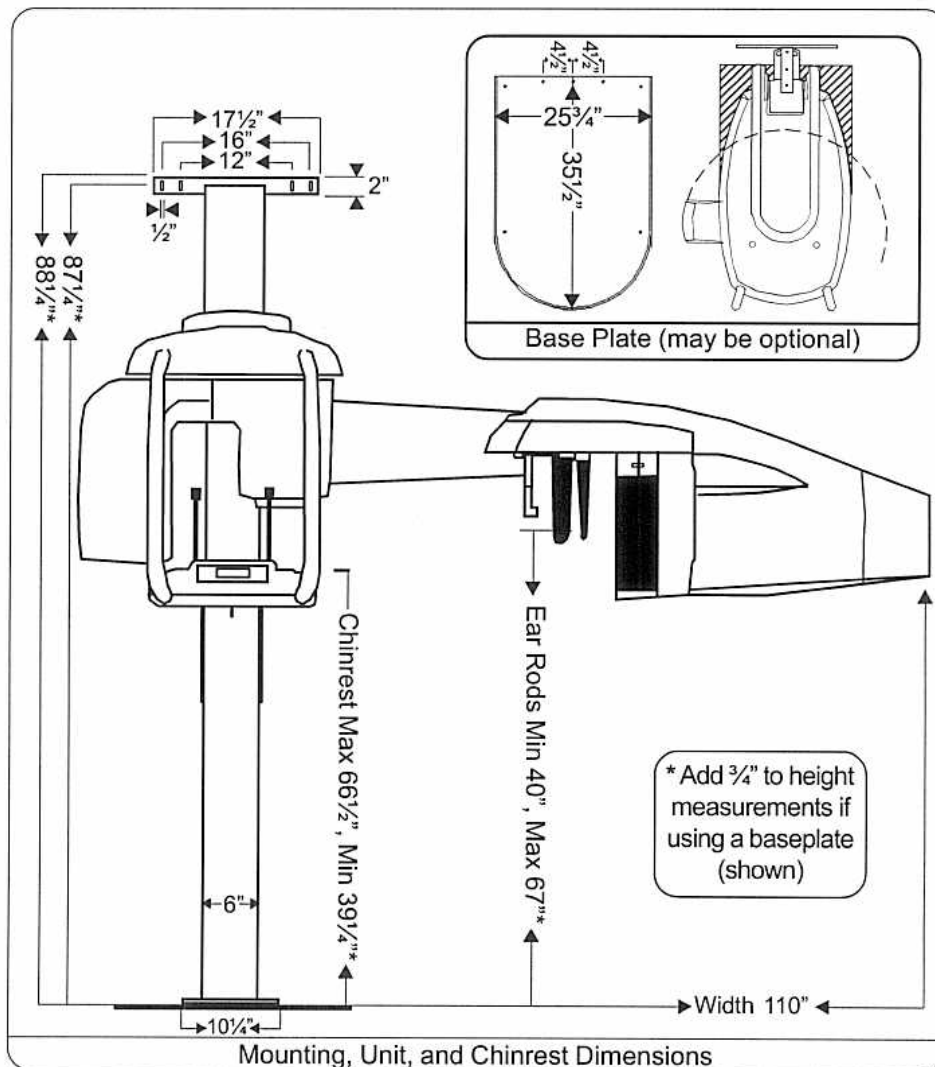
Distribution: ALL

8000c

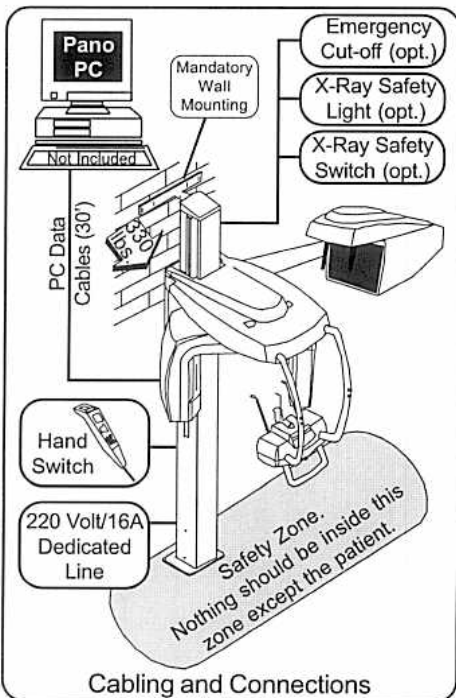
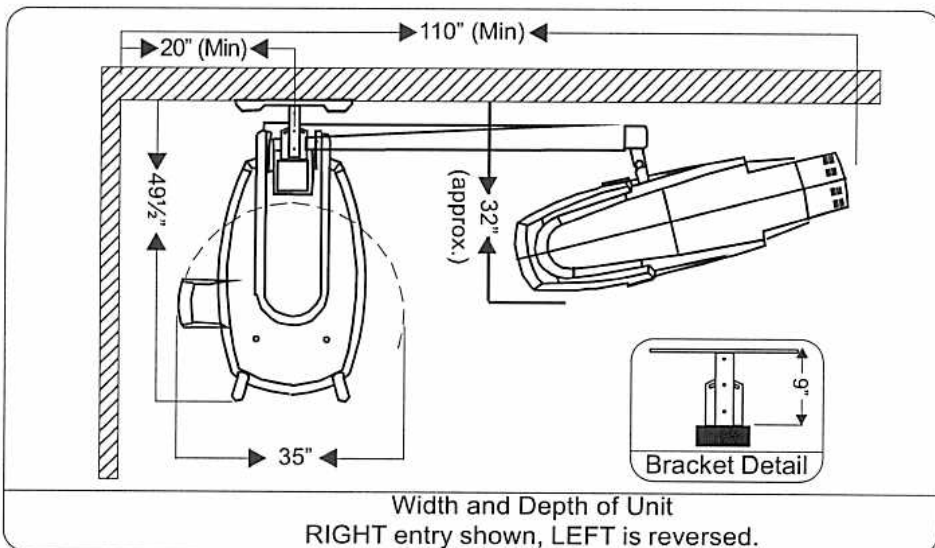
This document outlines the minimum space requirements for a standard Kodak 8000c installation.

While the height dimensions listed will be adequate for most installations, the maximum height of the pano travel can be adjusted six inches (6") lower with the **standard column** if the ceiling height is restrictive.

Additionally, a **shorter column** can be ordered. This column is 6 inches shorter than the standard column, and reduces all height measurements accordingly. Allow extra time for this special order.



Mounting, Unit, and Chinrest Dimensions



KODAK Dental Systems
PracticeWorks, Inc.
A Subsidiary of Eastman Kodak Company
Support: 877-624-6243 x1
Fax: 770-857-1484 Email: PWSupportTrophy@KodakDental.com
Website: www.kodak.com/go/dental

Kodak strongly adheres to compliance with Microsoft Windows operating systems and hardware compatibility (HCL), which can be found at <http://testedproducts.windowsmarketplace.com/>. Only operating systems and hardware listed in this document have been fully tested and certified with Kodak Dental Imaging software. Before purchasing any equipment, please review the latest System Requirements located online at: <http://www.kodakdental.com/documentation/sysReqs/KDIS.pdf>.

Dedicated Server

Hardware

- Intel Pentium 4 3.2 GHz or faster
- 1 GB RAM
- 100 GB available disk space
- CD-ROM drive
- Ethernet 10/100/1000 network card
- Standard CRT/LCD monitor with a minimum of 1024x768 screen resolution
- 32-bit 1024x768 resolution capable video card
- Additional PCI Express, AGP or USB 2.0 expansion slots may be required

Supported Operating Systems

- Windows 2003 Server
- Windows 2000 Server

Workstation

Hardware

- Intel Pentium 4 3.2 GHz or faster
- 1 GB RAM
- 40 GB available disk space
- CD-ROM drive
- Ethernet 10/100/1000 network card
- Standard CRT/LCD monitor with a minimum of 1024x768 screen resolution
- 32-bit 1024x768 resolution capable video card
- USB Chipset w/2 or more powered USB 2.0 ports
- Additional PCI Express, AGP or USB 2.0 expansion slots may be required

Supported Operating Systems

- Windows 2000 Professional Service Pack 4
- Windows XP Professional Service Pack 2
- Windows Vista Business

Additional Functionality for Kodak Dental Imaging Software

Internet Connection	▪ Email functionality requires either dial-up or broadband internet access
Printers	▪ Color Laser, Inkjet or Dye-sublimation Printer
Scanner	▪ TWAIN compliant scanner with a full-sized transparency adapter
Digital Camera	▪ Digital camera capable of producing Windows graphics files
Additional Software	▪ Microsoft Word 2000, XP, 2003, or 2007 for Word Reports ▪ Anti-Virus Software
Backup System	▪ Windows approved backup system capable of backing up the entire Imaging database
Uninterruptible Power Supply	▪ Any UPS with shutdown software, for use on the server
Intraoral digital radiography	▪ Kodak RVG 6100 digital radiography system, powered USB 2.0 ports
Computed radiography	▪ Kodak CR 7400 phosphor plate system, powered USB 2.0 port
Panoramic digital radiography	▪ Kodak 8000 digital panoramic system, full-height PCI card slot and serial port
Cephalometric digital radiography	▪ Kodak 8000C digital cephalometric system, full-height PCI card slot and serial port
Intraoral video capture	▪ Kodak 1000 intraoral video camera system, powered USB 2.0 port, 128 MB video RAM per monitor

Kodak Dental Systems has tested and certified the following hardware and software with Kodak Dental Imaging software:

Processor Families:

Intel Pentium 4
Intel Pentium M
Intel Xeon
Intel Core Duo

Image Scanners (w/Transparency Adapters):

Epson Expression 1680
Epson Perfection v700 Photo

Dye-Sublimation Printers

Olympus P-400
Kodak Professional 1400 digital photo printer

Inkjet Printers

HP Photosmart 7760 Printer

Color Laser Printers

HP Color LaserJet 2550 Ln Printer

Intraoral x-ray generators

Trophy Irix-70
Trophy Elitys
Kodak 2000 Intraoral X-Ray System
Kodak 2100 Intraoral X-Ray System
Kodak 2200 Intraoral X-Ray System

Intraoral Sensors

Trophy RVG UI (PCI and USB)
Kodak 5000 and Kodak 6000
Kodak 6100

Intraoral cameras

Trophy STV
Trophy STV Pro
Trophy STV Pro 2
Kodak 1000
Schlick USBcam
Acteon Group Sopro 595 USB camera
Video Capture Cards for use with S-Video cameras
Hauppauge WinTV Radio-Model 401
Hauppauge Impact VCB

Extraoral Radiography devices

TrophyPan
TrophyPanC
Kodak 8000
Kodak 8000C
Computed Radiography
Kodak CR 7400

Kodak Digital Cameras:

KODAK P712 System
KODAK 7590 System
KODAK 6490 System

Anti-Virus software

Norton (Symantec) Anti-virus software
McAfee Anti-virus software

Notes & Recommendations:

- Kodak Dental Imaging software version 6.7 is compatible with the **Microsoft Windows Vista Operating System**. Tested versions of Vista include Home Premium, Business, Enterprise, and Ultimate. Windows Vista Business is recommended.
- **Microsoft Word** software versions 2000, XP, 2003, and 2007 have been tested and are compatible with Kodak Dental Imaging Software version 6.7.
- **Backups and Uninterruptible Power Supplies** – Kodak suggests that you perform a nightly backup on removable media and keep that media in a fireproof safe off-site. Kodak also recommends that you have a UPS with shutdown software installed at the server machine.
- **Hardware Compatibility:** Kodak strongly adheres to compliance with Microsoft Windows operating systems and hardware compatibility (HCL), which can be found at <http://testedproducts.windowsmarketplace.com/>. Only operating systems and hardware listed in this document have been fully tested and certified with Kodak Dental Imaging software. Before purchasing any equipment, please review the latest System Requirements located online at: <http://www.kodakdental.com/documentation/sysReqs/KDIS.pdf>. System Requirements are updated regularly. Hardware upgrades (processor, disk, memory, graphics and/or network) may be required in order to take full advantage of the new features in the latest versions of the software. Hardware requirements can vary significantly depending on several factors including: the size and configuration of the network; make, model, configuration and speed of the workstations; size and complexity of the practice; other vendor's applications.
- **Operating System Updates:** Make sure that all servers and workstations are Microsoft Certified for their respective operating systems. Each operating system should have the latest service packs and critical updates installed.
- **Hardware and Software Performance:** in general, performance can be improved by doing one, some or all of the following: Increasing the amount of memory (RAM) on a workstation or server; replacing the hard drive with a newer, larger, faster model; upgrading the CPU to a faster speed. Results are not guaranteed.
- **Internet Connection:** Although it is not necessary for Kodak Dental Imaging software to have an internet connection to fully-function, Kodak strongly recommends that there be an always-on internet connection available to your network. This allows the Kodak Support Department to provide assistance quickly and easily to your software and hardware when needed. If this kind of internet connection is not feasible for your practice, having a modem and remote control software (such as PCAnywhere) installed on your server will suffice.
- **Email functionality:** Microsoft Outlook and Outlook Express software have been tested and are certified for use with Kodak Dental Imaging software. AOL's email software is not compatible with Kodak Dental Imaging. Any web-based email interface (like Yahoo, Hotmail, Gmail) will not be compatible with the email functionality of Kodak Dental Imaging.
- **Video capture cards:** The Hauppauge WinTV Radio-Model 401 and Impact VCB video capture cards have been tested and certified with S-Video cameras and Kodak Dental Imaging Software.

Vista compatibility notes:

- The following products are not compatible with Microsoft Windows Vista:
 - Trophy ISA cards that control sensors, cameras, or Digipan units
 - The CR 7400 computed-radiography system
- Microsoft Windows Vista is not a server-class operating system and should not be used as a data server when using Kodak Dental Imaging independently of a practice management program.