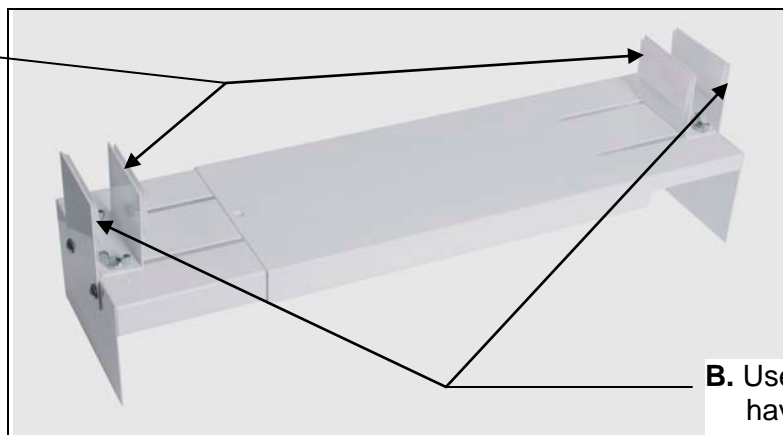


Assembling Your StackRack Combination

This sheet will guide you in assembling the two appliances you have received in separate cartons, and which will be stacked one on top of the other. You have received two StackRacks and you will need them both whether the upper appliance is narrower than the lower or the two appliances have equal widths.

A. Use when appliances have unequal widths

StackRack



B. Use when appliances have the same width

A. If the upper appliance is narrower than the lower:

1. Remove the vertical plates at the ends of the two StackRacks using a Phillips head screwdriver. You will not need these plates.
2. Place both StackRacks on top of the lower appliance, one toward the front and one toward the rear. Compress each StackRack until the ends are flush with the two sides of the appliance.
3. Center the upper appliance on top of the two StackRacks so that the legs (or rear support plate) are firmly seated on the front and rear StackRacks.
4. Loosen the wing nuts (4 on each StackRack) and remove the paper shields from the four Velcro pads that are facing the upper appliance.
5. Slide the four L-shaped brackets toward the upper appliance until a firm contact is made, then tighten the wing nuts. This completes the assembly.

B. If the upper and lower appliances have equal widths:

1. Unscrew the four wing nuts on each StackRack and remove the L-shaped brackets. You will not need them.
2. Place both StackRacks on top of the lower appliance, one toward the front and one toward the rear. Do not fully compress the StackRacks at this time.
3. Remove the paper shields from the four Velcro pads that will be facing the upper appliance.
4. Center the upper appliance on top of the two StackRacks so that the legs (or rear support plate) are firmly seated on the front and rear StackRacks.
5. Compress each StackRack until the ends are flush with the two sides of the lower appliance and the Velcro pads make firm contact with the upper appliance. This completes the assembly.